

Control4® Square Dual Load Wireless Adaptive Phase Dimmer



Control4® Square Dual Load Wireless Adaptive Phase Dimmer, 240V (C4-SDAPD240-N)

The Control4® Square Dual Load Wireless Adaptive Phase Dimmer combines elegant dimming with a configurable keypad for the ultimate in lighting control of up to two lighting loads. Unlock the power of one-touch automation by simply replacing an existing light switch with a wireless dimmer.

- Provides independent dimming control of up to two lighting circuits.
- Turns a standard light switch or dimmer into a fully customizable keypad and dimmer.
- Wireless communication and standard wiring provide easy installation in new construction and retrofit environments.
- Compatible with a variety of load types including LEDs, incandescent, halogen, electronic low-voltage (solid state) transformers, magnetic (iron core) low-voltage transformers, fluorescents, compact fluorescents.
- Supports both forward-phase (leading edge) and reverse-phase (trailing edge) dimming.
- Automatically detects load type and determines the appropriate dimming type.
- Protection circuitry prevents device damage in case of short circuit or excessive load.
- Continuously measures energy being used by the attached load.
- Configure with two to seven buttons using five different button sizes for a total of 38 possible configurations.
- Easy reconfiguration means there's no need to worry about how many buttons will be needed on a specific dimmer before (or even after) installation.
- Elegant, sophisticated design makes a beautiful addition to any home or business.
- Custom engraving available to clearly identify each button.
- Backlit button engraving with programmable color control for easy readability regardless of time of day or light level.
- Programmable RGB LEDs provide status feedback for lighting and other devices in the system.
- Ambient light sensor can automatically adjust backlight and status LED brightness depending on the light level in the room.
- Ships as "neutral" device with no buttons included. Keypad-style button kit and rocker-style button kits sold separately in a variety of colors (see "Available accessories").
- Control4® screw-less faceplates, sold separately, provide a sleek profile (see "Available accessories").
- Installs in standard square (UK/China-style) wall box.
- Not compatible with round (EU-style) wall boxes.

Control4® Square Dual Load Wireless Adaptive Phase Dimmer

Model number	C4-SDAPD240-N	
Power		
Power requirements	230VAC +/-10%, 50/60 Hz This device can function with or without a neutral AC connection depending on load type. Wiring with a neutral is always the preferred wiring method (if possible). When wired without a neutral: <ul style="list-style-type: none"> • Load 1 will be forced into a switch-only mode. It will not be possible to dim load 1. • The minimum wattage requirements increase. See "minimum load" section below. 	
Power consumption	600mW	
Load types and ratings		
Supported load types	Incandescent, halogen, electronic (solid state) low-voltage (ELV) transformer, magnetic (iron core, inductive) low-voltage (MLV) transformer ¹ , phase-dimmable fluorescent, compact fluorescent, and LED.	
Maximum load		
	Reverse phase	Forward phase
Incandescent (tungsten)	350W	250W ²
Halogen	350W	250W ²
Fluorescent ³	100W	100W
Compact fluorescent (CFL) ³	100W	N/A
LED ³	100W	30W
Minimum load (with neutral)		
All load types ^{1,3}	1W	
Minimum load (without neutral)		
Incandescent (tungsten)	7W	
Halogen ¹	7W	
Fluorescent ^{1,3}	20W (see note 3 below)	
Compact fluorescent (CFL) ^{1,3}	20W varies (see note 3 below)	
LED ^{1,2}	20W varies (see note 3 below)	
<p>!Important! When dimming magnetic (MLV) loads, each transformer must be loaded to at least 50% of its maximum load.</p> <p>²Incandescent and mains-voltage halogens should be dimmed using reverse phase. If forward-phase dimming is forced with either of these load types and the dimmer is wired without a neutral, load 2 must be derated to 150W.</p> <p>³The minimum and maximum load requirements for fluorescent, CFL, and LED loads can vary greatly, depending upon the specific fixture and/or bulb being used. The quality and performance of these load types varies greatly from manufacturer to manufacturer. At higher wattages, in-rush current spikes may cause an overcurrent fault on the dimmer. At low wattages, particularly when the dimmer is wired without a neutral, the light may not be able to completely turn off, may flicker, or may cause the dimmer to power starve. Control4 strongly recommends bench testing the actual loads being used in the exact wiring configuration that will be used before performing the installation.</p>		
Environmental		
Operational temperature	0°C - 40°C (32°F - 104°F) All load ratings based on an ambient temperature of 25°C (77°F).	
Humidity	5% to 95% non-condensing	
Storage	-20°C - 70°C (-4°F - 158°F)	
Miscellaneous		
Control communications	ZigBee, IEEE 802.15.4, 2.4 GHz, 15-channel spread spectrum radio	
Wires per connector	One 0.5 mm ² - 2.5 mm ² or two 0.5 mm ² - 1.5 mm ²	
Dimensions	81 × 81 × 30 mm (3.2 × 3.2 × 1.2 in)	
Depth in wall box	25.8 mm (1.0 in)	
Minimum wall box depth	35 mm (1.4 in)	
Weight	0.09 kg (0.2 lb)	
Shipping weight	0.136 kg (0.3 lb)	



Control4® Square Dual Load Wireless Adaptive Phase Dimmer

Available accessories

Square Device Keypad Button Kit (C4-CKSK-xx)	WH, SW, BL, MB, AU
Square Device Rocker Button Kit (C4-CKSR-xx)	WH, SW, BL, MB, AU
Square Faceplate (C4-SFP1-xx)	WH, LA, IV, BR, BL, SW, MB, BI, AU, CH, MS, SN, VB
Engraved Button, Single High (C4-EBD1H-xx)	WH, LA, IV, BR, BL, SW, MB, BI, AU
Engraved Button, Double High (C4-EBD2H-xx)	WH, LA, IV, BR, BL, SW, MB, BI, AU
Engraved Button, Triple High (C4-EBD3H-xx)	WH, LA, IV, BR, BL, SW, MB, BI, AU
Engraved Button, Rocker (C4-EBDR-xx)	WH, LA, IV, BR, BL, SW, MB, BI, AU

Gloss colors: WH=White, LA=Light Almond, IV=Ivory, BR=Brown, BL=Black
Satin colors: SW=Snow White, MB=Midnight Black, BI=Biscuit, AU=Aluminum

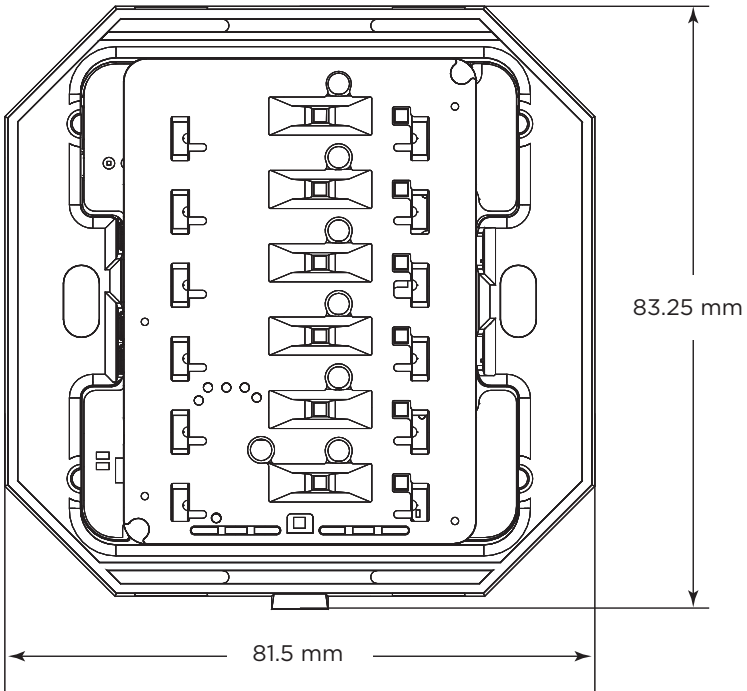
Metal finishes: CH=Chrome, MS=Matte Stainless, SN=Satin Nickel, VB=Venetian Bronze



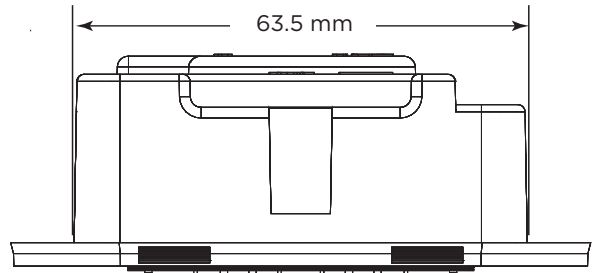
SQUARE DUAL LOAD WIRELESS ADAPTIVE PHASE DIMMER

SKU: C4-SDAPD240-N

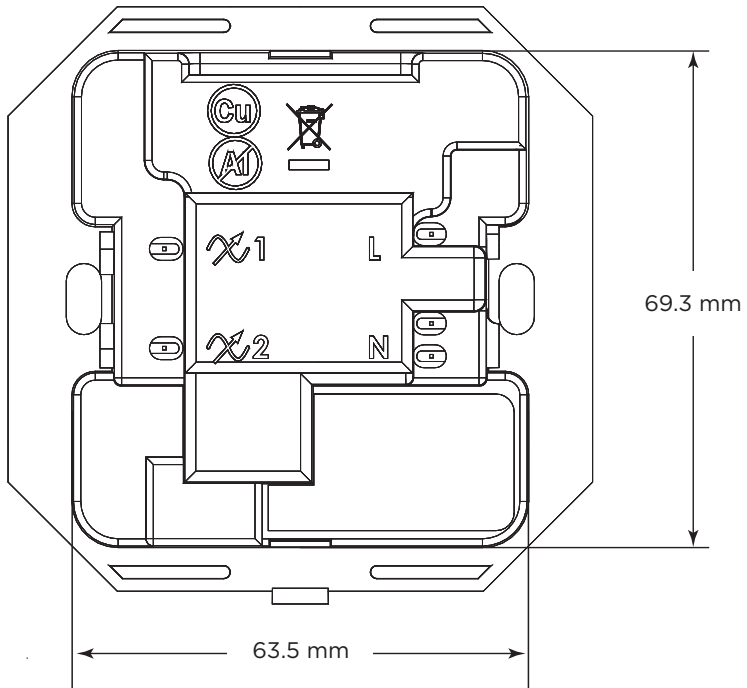
FRONT



TOP



BACK



SIDE

