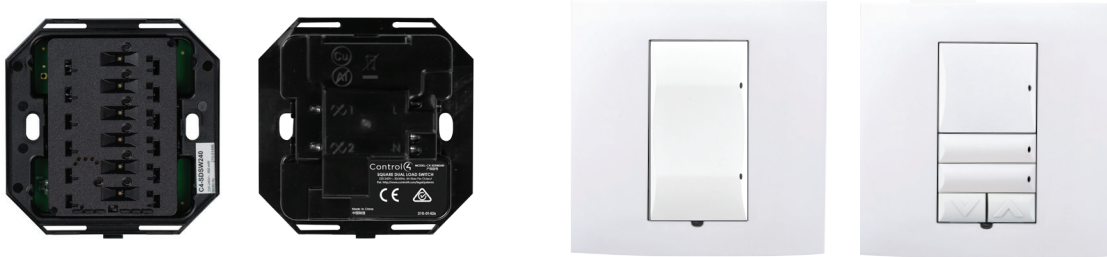


Control4® Square Dual Load Wireless Switch



Control4® Square Dual Load Wireless Switch, 240V (C4-SDSW240-N)

The Control4® Square Dual Load Wireless Switch combines two relays and a configurable keypad for on/off control of up to two loads. The keypad can be configured with two to seven buttons using five different buttons sizes for a total of 38 possible configurations.

- Provides independent control of up to two different loads.
- Wireless communication and standard wiring provide easy installation in new construction and retrofit environments.
- Compatible with a variety of load types including incandescent, halogen, electronic low-voltage (solid state) transformers, magnetic (iron core) low-voltage transformers, fluorescents, compact fluorescents, LEDs, and motors.
- Continuously measures energy being used by the attached load.
- Elegant, sophisticated design makes a beautiful addition to any home or business.
- Custom engraving available to clearly identify each button.
- Backlit button engraving with programmable color control for easy readability regardless of time of day or light level.
- Programmable RGB LEDs provide status feedback for lighting and other devices in the system.
- Configure with two to seven buttons using five different button sizes for a total of 38 possible configurations.
- Easy reconfiguration means there's no need to worry about how many buttons will be needed on a specific switch before (or even after) installation.
- Ships as "neutral" device with no buttons included. Keypad-style button kit and Rocker-style button kits sold separately in a variety of colors (see "Available accessories").
- Ambient light sensor automatically adjusts backlight and status LED brightness depending on the light level in the room.
- Control4® screw-less faceplates, sold separately, provide a sleek profile (see "Available accessories").
- Installs in standard square (UK/China-style) wall boxes.
- Not compatible with round (EU-style) wall boxes.

Control4® Square Dual Load Wireless Switch

Model number	C4-SDSW240-N
Power	
Power requirements	230VAC +/-10%, 50/60 Hz This device requires a neutral connection.
Power consumption	950mW
Load types and ratings	
Supported load types	Incandescent, halogen, electronic (solid state) low-voltage (ELV) transformer, magnetic (iron core, inductive) low-voltage (MLV) transformer, compact fluorescent, LED, and motor.
Maximum load per output	
Incandescent (tungsten)	4A
Halogen	4A
Fluorescent	3A
Compact fluorescent (CFL)	3A
LED	1A
MLV	2A
ELV	2A
Motors	1/8 HP
Environmental	
Operational temperature	0°C - 40°C (32°F - 104°F)
Humidity	5% to 95% non-condensing
Storage	-20°C - 70°C (-4°F - 158°F)
Miscellaneous	
Control communications	ZigBee Pro, IEEE 802.15.4, 2.4 GHz, 15-channel spread spectrum radio
Wires per connector	One 0.5 mm ² - 2.5 mm ² or two 0.5 mm ² - 1.5 mm ²
Dimensions	81 × 81 × 30 mm (3.2 × 3.2 × 1.2 in)
Depth in wall box	25.8 mm (1.0 in)
Minimum wall box depth	35 mm (1.4 in)
Weight	0.113 kg (0.25 lb)
Shipping weight	0.159 kg (0.35 lb)
Available accessories	
Square Device Keypad Button Kit (C4-CKSK-xx)	WH, SW, BL, MB, AU
Square Device Rocker Button Kit (C4-CKSR-xx)	WH, SW, BL, MB, AU
Square Faceplate (C4-SFP1-xx)	WH, LA, IV, BR, BL, SW, MB, BI, AU, CH, MS, SN, VB
Engraved Button, Single High (C4-EBD1H-xx)	WH, LA, IV, BR, BL, SW, MB, BI, AU
Engraved Button, Double High (C4-EBD2H-xx)	WH, LA, IV, BR, BL, SW, MB, BI, AU
Engraved Button, Triple High (C4-EBD3H-xx)	WH, LA, IV, BR, BL, SW, MB, BI, AU
Engraved Button, Rocker (C4-EBDR-xx)	WH, LA, IV, BR, BL, SW, MB, BI, AU

Gloss colors: WH=White, LA=Light Almond, IV=Ivory, BR=Brown, BL=Black

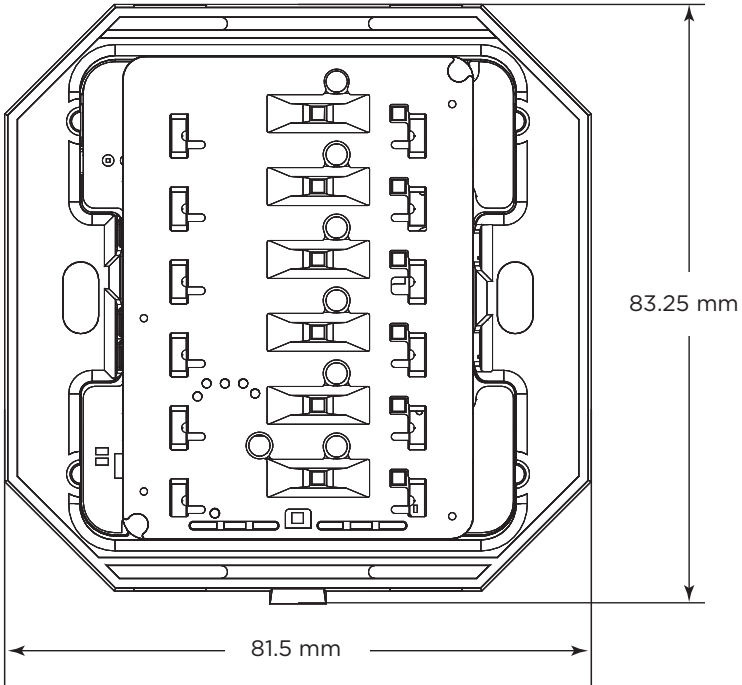
Satin colors: SW=Snow White, MB=Midnight Black, BI=Biscuit, AU=Aluminum

Metal finishes: CH=Chrome, MS=Matte Stainless, SN=Satin Nickel, VB=Venetian Bronze

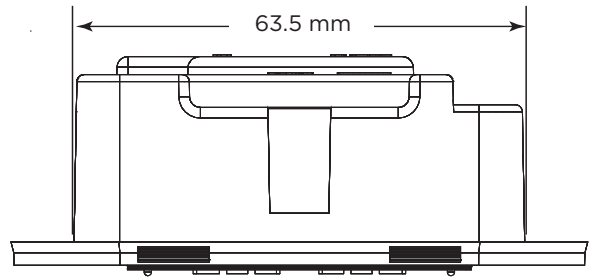


SQUARE DUAL LOAD WIRELESS SWITCH
SKU: C4-SDSW240-N

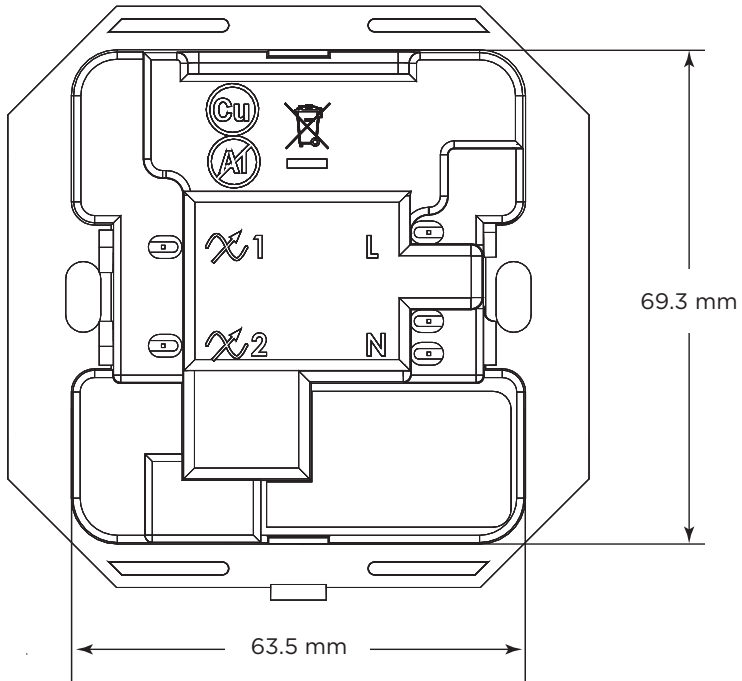
FRONT



TOP



BACK



SIDE

